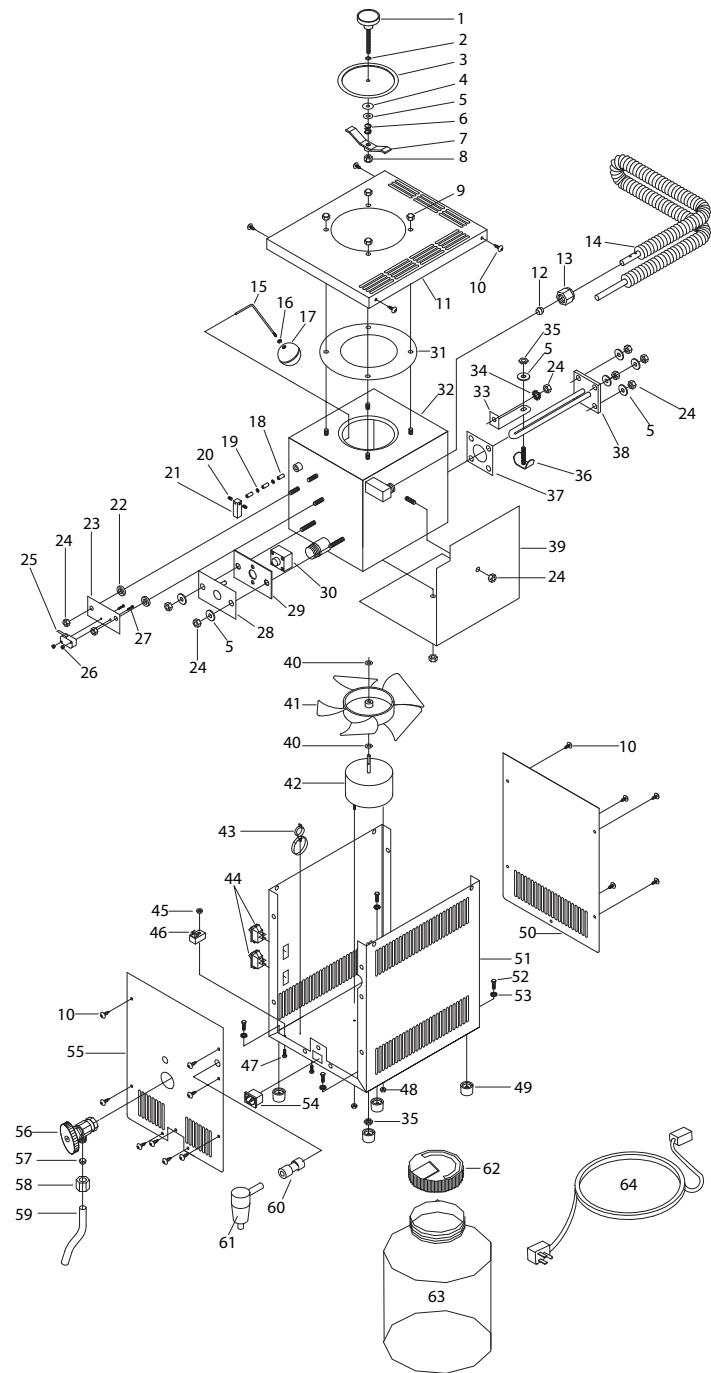




CT™
Countertop Distiller
OWNERS MANUAL





AQUANUI CT PARTS LISTING

Key #	120V	240V	Description	Key #	120V	240V	Description
1	8009	8009	LID KNOB WITH STUD	.	653	653V	FAN MOTOR KIT (#48, #40-42)
2	6022	6022	O-RING	43	7230	7230	WIRE-CABLE HOLDER
3	519	519	LID DISC	44	642	642	ON/OFF SWITCH
4	6049	6049	GASKET	45	9043	9043	HEX NUT, 8-32
5	9009	9009	FLAT WASHER, 1/4"	46	418	418	TERMINAL BLOCK
6	9085	9085	SPRING	47	9095	9095	SCREW, 8-32 X 1/2
7	402B	402B	CROSSBAR WITH NUT	48	9003	9003	LOCK NUT, 8-32
8	224-0003	224-0003	LOCKNUT, 1/4-20	49	8011	8011	APPLIANCE FEET
.	409	409	LID ASSY. (#1-8)	50*			SS FRONT PLATE
9	636	636	ACORN NUT (4 PACK)	51*			SS BASE
10	638	638	SHEET METAL SCREWS (12 PACK)	52	9056	9056	SCREW, 10-24 X 1/2
11*			S.S. TOP COVER (CALL FOR COLORS)	53	9046	9046	LOCK WASHER, #10
12	9530	9530	COMPRESSION FERRULE	54	7275	7275	IEC CORD CONNECTOR
13	9510	9510	COMPRESSION NUT	55*			SS BACK PLATE
14	9545	9545	CONDENSING COIL	56	9508	9508	DRAIN VALVE (INCLUDES #57-58)
.	657	657	CONDENSING COIL KIT (#12-14)	57	87	87	COMP. FERRULE
15	513	513	FLOAT ROD	58	84	84	COMP. NUT
16	9018	9018	HEX NUT, 6-32	59	518	518	DRAIN EXT TUBE
17	9519	9519	FLOAT BALL	.	611	611	DRAIN EXT TUBE KIT (#57-59)
18	9080	9080	BUSHING	60			CONNECTION FITTING
19	6021	6021	O-RING	61	19016	19016	POST FILTER (4 PACK)
.	604	604	BUSHING AND O-RING KIT (#18-19)	62	9233	9233	BOTTLE LID WITH HANDLE
20	9024	9024	SET SCREW	63	745	745	GLASS BOTTLE
21	9082	9082	FLOAT ACTUATING ARM	64	7276	7276	IEC POWER CORD
.	609	609	ACTUATING ARM/SET SCREW KIT (#20-21)				
.	644	644	FLOAT KIT (#15-21)				
22	8070	8070	SPACER				
23	516	516	SWITCH PLATE				
24	9045	9045	HEX NUT, 1/4-20				
25	7200	7200	MICROSWITCH				
26	9041	9041	HEX NUT, 4-40				
27	9001	9001	SCREW, 4-40 X 5/8				
.	646	646	MICROSWITCH KIT (#25-27)				
28	424A	424A	RESET RETAINER				
29	510	510	RESET RETAINER BOARD				
30	601	601	RESET				
.	663	663	RESET KIT (#24,#24,#28-30)				
31	6010	6010	BOILING TANK GASKET				
32	2590A-02	2590A-02	BOILING TANK STUDDER				
33	2102	2102	HEAT TAB				
34	9032	9032	LOCK WASHER				
35	9061	9061	HEX NUT, 10-24				
36	400A-02	400A-02	U-CLAMP				
.	661	661	U-CLAMP KIT (#5, #35-36)				
37	6005	6005	HEATING ELEMENT GASKET				
38	7022	70102	HEATING ELEMENT, 650 WATTS				
.	632	632V	HEATING ELEMENT KIT (#5, #35-38)				
39	2103	2103	DEFLECTOR PLATE				
40	9092	9092	PUSH NUT				
41	7010	7010	FAN BLADE				
.	639	639	FAN BLADE KIT (#43-44)				
42	7092	70103	FAN MOTOR				

TABLE OF CONTENTS

IMPORTANT SAFETY INFORMATION3

FOR THE RECORD4

HOW DISTILLATION WORKS4

UNPACKING YOUR AQUANUI CT™4

ELECTRICAL REQUIREMENTS5

SPECIAL NOTICE5

GETTING AQUAINTED WITH YOUR AQUANUI CT™6

COMPONENT IDENTIFICATION7

START UP, RINSING & STERILIZING8

VOC FILTER INSTALLATION9

ACCESSORIES AND FILTER11

MAINTENANCE & CLEANING12

WARRANTY13

PARTS LIST AND DIAGRAM14

Please read through all instructions in this manual prior to installation. If you do not understand instructions, please seek assistance from an authorized AquaNui Sales Associate or Affiliate.

IMPORTANT SAFETY INFORMATION

- Operate indoors only.
- The area MUST be well ventilated.
- Always unplug the power cord before assembling, disassembling, repairing or adjusting the system
- NEVER immerse the distiller in water or any other liquid.
- NEVER operate the distiller with a damaged cord or allow the cord to become exposed to hot surfaces.
- Don't let children play with the distillation system.
- IF YOU ARE NOT SURE THAT YOUR OUTLET IS PROPERLY GROUNDED OR THAT THE CIRCUIT PROTECTION IS CORRECT, HAVE IT CHECKED BY A QUALIFIED ELECTRICIAN.

FOR THE RECORD

The model and serial number are found on the back panel. You should record both model and serial number for future reference.

Model AquaNui CT Date of Purchase _____

Serial Number _____

HOW DISTILLATION WORKS

Your system operates using the combined technology of evaporation/condensation and VOC filtration. This combined technology consistently produces high quality water. The principle of operation is quite simple. Raw water is poured into the machine where it is heated and boiled. As the water boils, it kills bacteria and other biological contaminants. The steam then rises, leaving behind virtually all the contaminants in the raw water. The steam enters the condenser where cool air reduces the temperature of the steam, converting it to distilled water as a final step; this water passes through an activated VOC post filter to improve the taste of the water. The water is collected and stored in a glass or BPA-free plastic container.

UNPACKING YOUR AQUANUI CT™

Your AquaNui CT™ is shipped to you in a durable carton. Carefully remove the contents from the carton.

The AquaNui CT™ carton contains:

- AquaNui CT™ distillation system
- Distilled water container and lid
- Parts kit #2560
- Owners manual and warranty card
- Power cord

Note: Save the carton and packaging material for future use in the unlikely event your machine should require maintenance or repair.

B. CLEANING THE BOILING TANK

We recommend that the boiling tank be cleaned at least once per month. Use Lumen™ cleaner (stock #6603) and follow the directions below. Failure to clean the interior can result in:

1. Contaminant build-up (scale) causing premature failure of the heating element.
2. Reduced purity of the distilled water due to ‘splash over’ of contaminants from the boiling tank.

CAUTION: Under no circumstances should the cleaning solution be heated and run through a steam sterilization or distillation cycle.

Use the following procedures for cleaning the boiling tank in the distiller:

1. Turn the power switch OFF. Turn the fan switch to STERILIZE. Let the unit cool down for 15 minutes before continuing.
2. Remove the boiling tank lid. Open the drain valve and allow the boiling tank to drain. Close the drain valve.
3. Pour water into the boiling tank so the water level is just above the scale line.
4. Add the Lumen Cleaner following the directions on the package.
5. Mix well and let stand overnight.
6. Next morning, open the drain valve and drain and rinse the boiling tank thoroughly. Close the drain valve.
7. Steam sterilize the unit by following the instructions for Steam Sterilization and Start Up on page 8.

WARRANTY

Your AquaNui CT™ water distiller is covered by a comprehensive warranty. Please refer to the warranty card for full details. If your warranty card is missing, or if this is a replacement manual please contact us at service@MyAquaNui.com for full details. In order for the warranty to be registered, you must return the warranty card within 10 days of purchase. Please be sure all the information on the warranty card is filled in completely for valid registration. Alternately, you can fill out your warranty card at www.MyAquaNui.com.

If your AquaNui CT™ requires repair under warranty, contact your associate for instructions. Provided you have met your conditions under the warranty, the system will be repaired free and returned to you. You are responsible for the freight both to and from the service location.

MAINTENANCE & CLEANING

A. OVERALL MAINTENANCE REQUIREMENTS

The following guide should be used for maintenance of your distiller. The timing will vary according to your local water conditions. It is your responsibility to maintain your equipment. Without proper maintenance, your AquaNui CT may not produce optimum results. The following times may need to be adjusted for your particular area, so the first several times, please keep track of the average time and adjust the schedule below.

Weekly or every 12 gallons:*

Drain the boiling tank.

Monthly or every 30 gallons:*

Clean the boiling tank. (See Section B of Maintenance.) See page 13.

Every 3 months:

- 1) Change the VOC filter
- 2) Clean the exterior.
- 3) Steam Sterilize.
(See page 8.)

* More frequently if feed water is hard.

Cleaning the exterior:

Use stainless steel cleaner and polish (stock #6606). Available at www.MyAquaNui.com.

Replacing the VOC filter:

The post filter cartridge should be replaced at least every three months. New filters can be purchased in packs of four through your affiliate or on our web site www.MyAquaNui.com. (stock #19016). Replacement instructions are included with the filters.

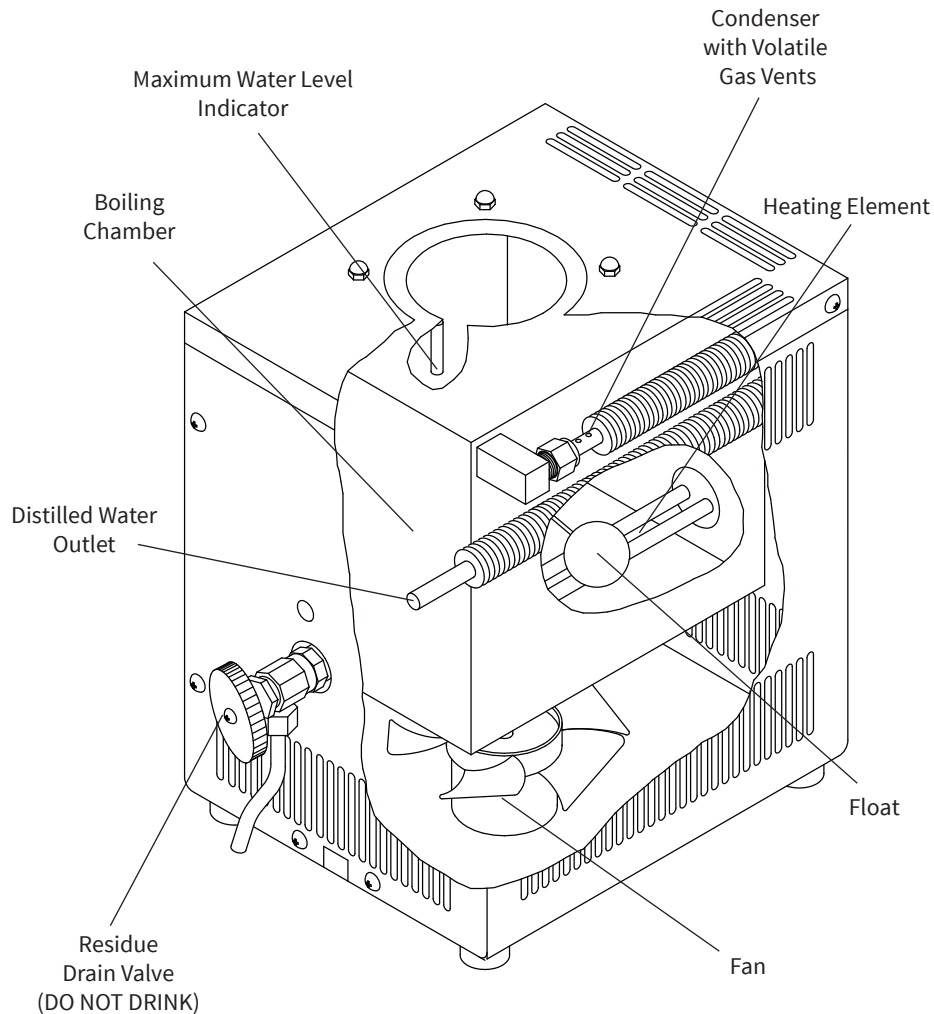
ELECTRICAL REQUIREMENTS

- The unit must be plugged directly into a fully grounded wall outlet.
- You will need to use an isolated 10 amp circuit breaker for this unit.
- We offer this unit in several voltage configurations:
 - 100V, 50/60 Hz, 7 amps
 - 120V, 60 Hz models, 5.8 amps
 - 240V, 50 Hz models, 2.9 amps

SPECIAL NOTICE

1. A short power supply is provided to reduce the risks resulting from becoming entangled in or tripping over a longer cord.
2. Extension cords may be used if care is exercised in their use.
3. If an extension cord is used, (a) the marked electrical rating of the extension cord should be at least as great as the electrical rating of the product, (b) as the product is of the grounded type, the extension cord should be a grounding type 3-wire cord, and (c) the longer cord should be arranged so that it will not drape over the countertop or tabletop where it can be pulled on by children or tripped over unintentionally.
4. The physiological effects of the operation of this appliance, beneficial or otherwise have not been investigated by Underwriters Laboratories.

GETTING ACQUAINTED WITH YOUR AQUANUI CT™



ACCESSORIES AND FILTER

ADDITIONAL COLLECTION JUGS

Many people like to have an additional collection jug, so that they can have one jug in the refrigerator, and another jug at the water distiller.

Additional jugs can be purchased from your AquaNui affiliate, or from www.MyAquaNui.com.

BOTTLES AND JUGS

The standard bottle that is sent with the AquaNui CT is the glass jug. There are several alternatives for holding your distilled water. For more information talk to your AquaNui affiliate, or check www.MyAquaNui.com.

FILTERS

The AquaNui CT™ will boil water, collect the steam and then cool it so that distilled water condensates into the glass jar. If there are some chemicals that have a lower boiling point than water, that can carry over with the steam. The VOC filter will remove these contaminants.

Filter Replacements can be purchased from your AquaNui affiliate, or from www.MyAquaNui.com.

CLEANING COMPOUND

When the AquaNui CT™ boils water, the calcium and magnesium in the water (along with some other contaminants, can form scale. The scale will reduce the efficiency of the unit over time. Once the scale starts to accumulate, it should be cleaned off. We supply a powder that is allowed to sit overnight in a cold boiling tank. This will soften the scale so that it is easier to remove.

Lumen™ can be purchased from your AquaNui Affiliate, or from www.MyAquaNui.com.

VOC FILTER INSTALLATION (CONT'D.)

4. Position the post-filter pointing down into the mouth of the distilled water collection jug as shown in Figure 2. The unit is now ready for normal operation.
5. To remove the filter, the adjustable collet (A) must be loosened and the grey collet (B) must be depressed before pulling the fitting off of the condenser outlet (Figure 1 on Page 9).

If installation of the filter onto the condenser outlet is difficult, you may apply a thin film of vegetable oil to the OUTSIDE surface of the condenser outlet to aid installation.

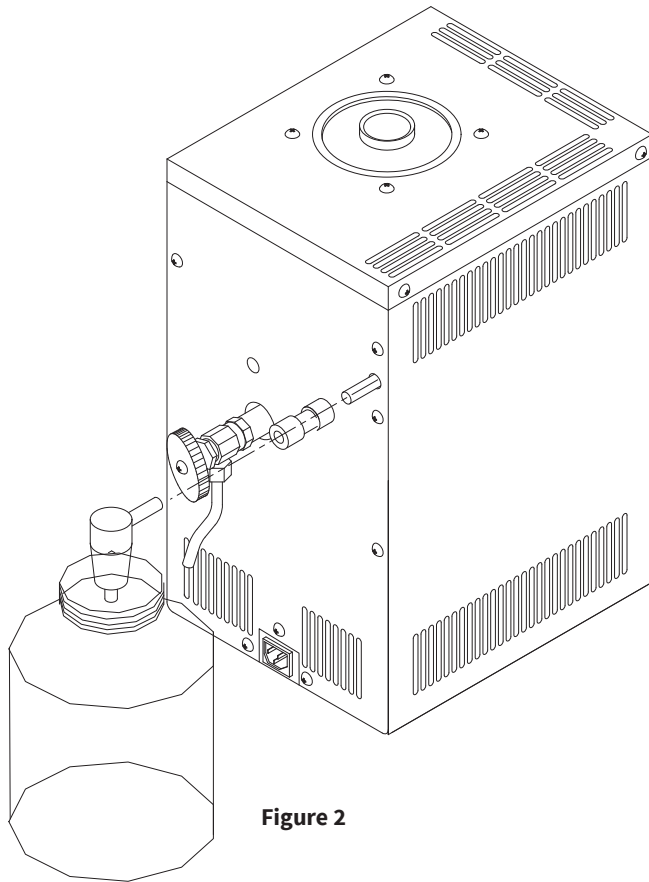


Figure 2

COMPONENT IDENTIFICATION

Boiling chamber - The manually filled stainless steel boiling chamber holds a maximum of 1.4 gallons (5.3 liters) of water. Some of this water will remain in the tank after the cycle is complete.

Condenser - As the steam rises from the surface of the water in the boiling tank, it enters the condenser where it is cooled by forced air from the fan which converts it to distilled water. The condenser also has volatile gas vents to allow gasses to escape

Residue drain valve - The drain valve, located on the rear panel of the unit, provides a means of draining the residue from the boiling chamber that remains after distillation.

Fan - The fan provides a constant flow of room temperature air across the condenser during the distillation cycle to effectively condense the steam from the boiling water.

Fan Switch (not shown) - The fan switch must be in the PURIFY position during the distillation cycle to provide efficient air flow across the condenser. It is only in the STERILIZE position during steam sterilization.

Float - The float is used to monitor the water level in the boiling chamber. When the level reaches approximately 1" above the heating element, the float trips a switch to shut the unit down.

Heating Element - The 650 watt heating element provides the heat necessary to boil the water in the boiling chamber.

Maximum Water Level Indicator - A small diameter rod which extends downward 1-1/2" from the top of the boiling chamber. When operation the unit, fill the water no higher than the bottom of the indicator.

Power Switch (not shown) - Allows the user to turn power ON and OFF.

START-UP, RINSING AND STEAM STERILIZING

We recommend that you thoroughly rinse and steam sterilize your AquaNui CT before putting it into use. Distilled water from the first cycle should be discarded.

RINSING –

1. Remove the boiling tank lid.
2. Remove the wire restraining the float.
3. Pour tap water into the boiling tank until approximately $\frac{3}{4}$ full. Open the boiling tank residue drain valve.
4. Close the residue drain valve after the water has drained.

STEAM STERILIZATION –

CAUTION: Make sure the post filter is not installed at this point

5. Fill the boiling tank half full of hot tap water. Install the boiling tank lid.
6. Plug the power cord into the power source.
7. Turn the power switch ON.
8. Turn the fan switch to STERILIZE.
9. Allow the unit to steam sterilize for one hour. NOTE: Place a container under the condensing coil outlet to catch any water or steam that drips from the coil.
10. After one hour, turn the power switch OFF.
11. Allow the unit to cool for a minimum of 15 minutes. When cool, install the VOC filter as instructed on page 9.

START UP –

12. Fill the unit with water, no higher than the maximum water level indicator and place the glass jar under the post filter to catch the distilled water. Turn the power switch ON and fan switch to DISTILL. Allow the unit to run through a complete cycle. DISCARD THE FIRST BATCH.

With the power switch ON and the fan switch to DISTILL, the unit is now ready for normal operation. We recommend steam sterilization cycle (steps 5-11) every 3 months or if the unit has not been used for one week.

VOC FILTER INSTALLATION

NOTE: The VOC filter must be removed during steam sterilization.

This distillation system is equipped with an activated VOC filtering system designed to polish the taste after distillation. The filter helps ensure the distilled water produced is as fresh and great tasting as possible. This combination of distillation and filtration produces “the Full Spectrum Solution To Water Pollution”™.

To maintain the freshness of the water, the VOC filter should be changed on a periodic basis. See page 12 for the schedule.

NOTE: Steam sterilize the distiller prior to installing the VOC filter.

1. Remove the plastic plug covering the filter outlet. Remove the post-filter lid.
2. Rinse the filter by slowly pouring DISTILLED* water into the lid area and allowing the black carbon fines to rinse away. Continue until the water coming out the bottom of the filter is clear. Install the VOC filter lid and snap it closed.

*Use distilled water only to rinse the VOC filter.

3. While making sure the adjustable collet is loose, install the elbow and the new filter onto the condenser outlet. This is done by pushing the elbow straight into the condenser outlet tube until it bottoms on the shoulder (approximately 1”). See figure 1.

Finger tighten the adjustable collet securely to seal the fitting onto the condenser outlet. Gently pull on the elbow to make sure it is locked in place.

